

LA3JJ

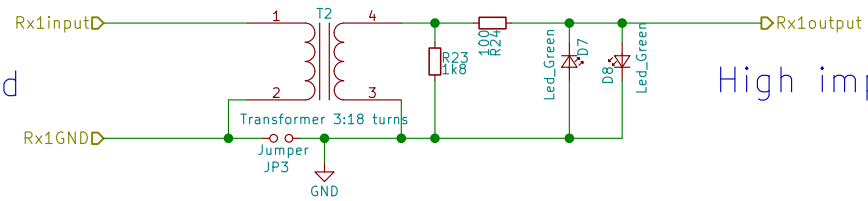
Sheet: /
File: K7702.sch

Title: WizPit 2

Size: A4 Date: 2017-03-01
KiCad E.D.A. kicad 5.0.2-bee76a070ubuntu18.04.1

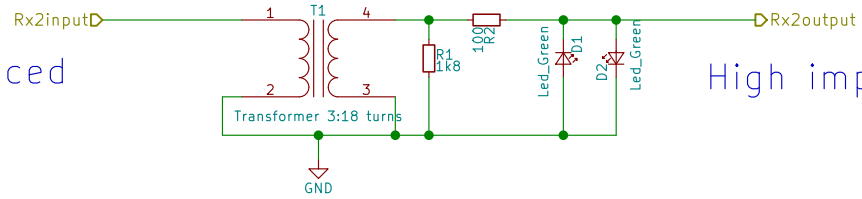
Rev: 2.2
Id: 1/5

Low imp. input balanced



High imp. output protected

Low imp. input unbalanced



High imp. output protected

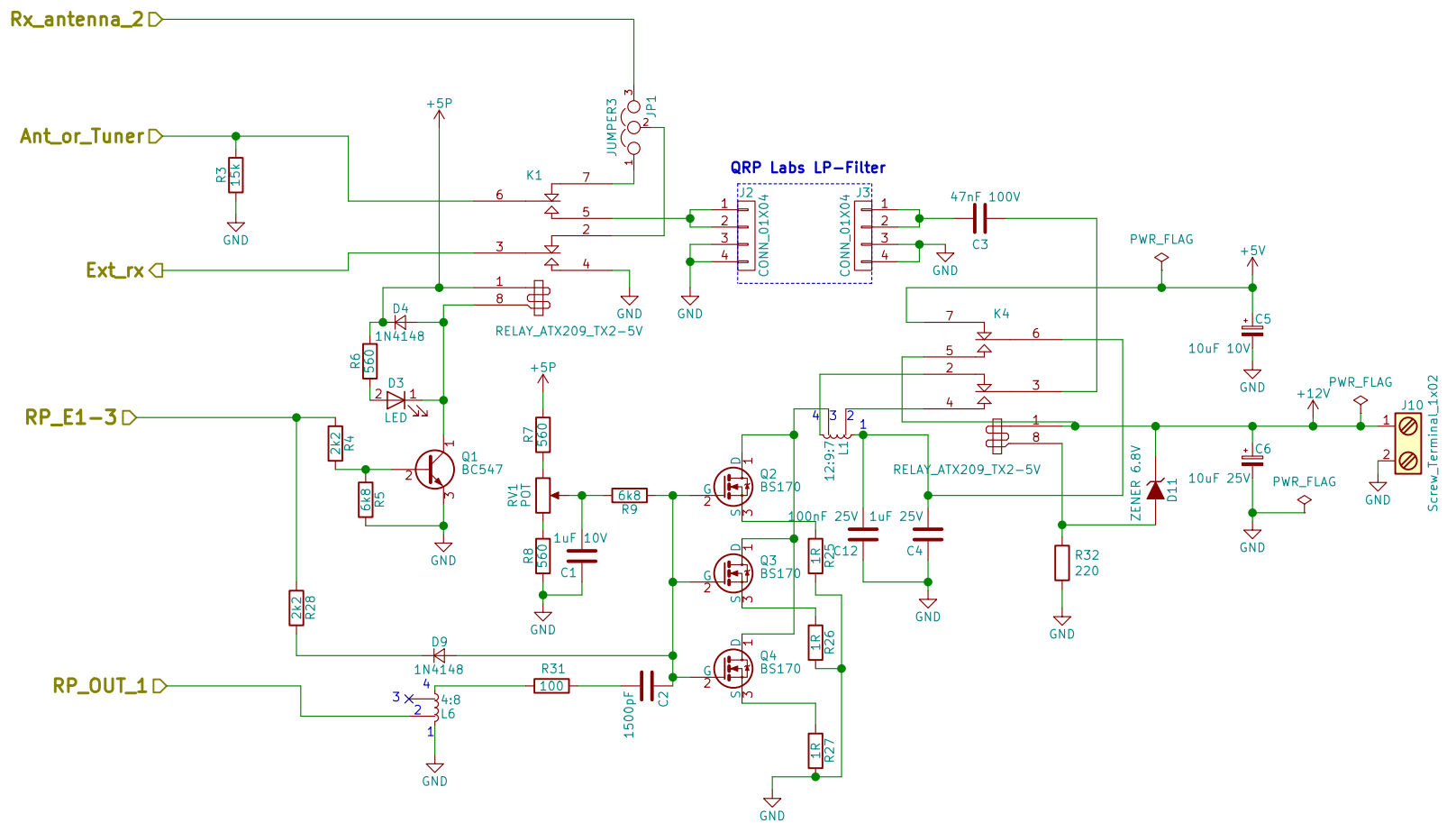
LA3JJ

Sheet: /Input protection /
File: file58B721B3.sch

Title: RedPitaya ham radio extention for wspr

Size: A4 Date: 2017-03-01
KiCad E.D.A. kicad 5.0.2- bcc76a070ubuntu18.04.1

Rev: 2.2
Id: 2/5



D10 removed, D11 moved, R32 added

R31 resistor added to input circuit

LA3JJ

Sheet: /TxAmpRelay/

File: file58B7281E.sch

Title: RedPitaya ham radio extension for wspr

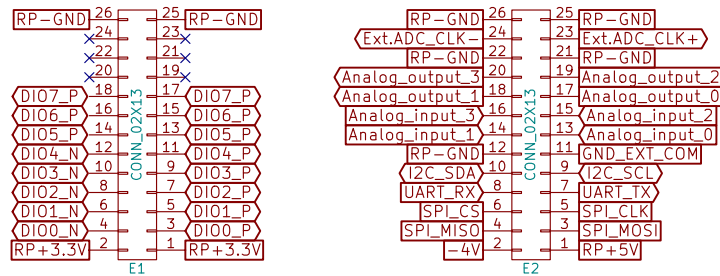
Size: A4 Date: 2017-03-01

Rev: 2.2

KiCad E.D.A. kicad 5.0.2-bee76a070ubuntu18.04.1

Id: 3/5

The internal life of the Red Pitaya
is not documented here.
Just the I/O connectors.



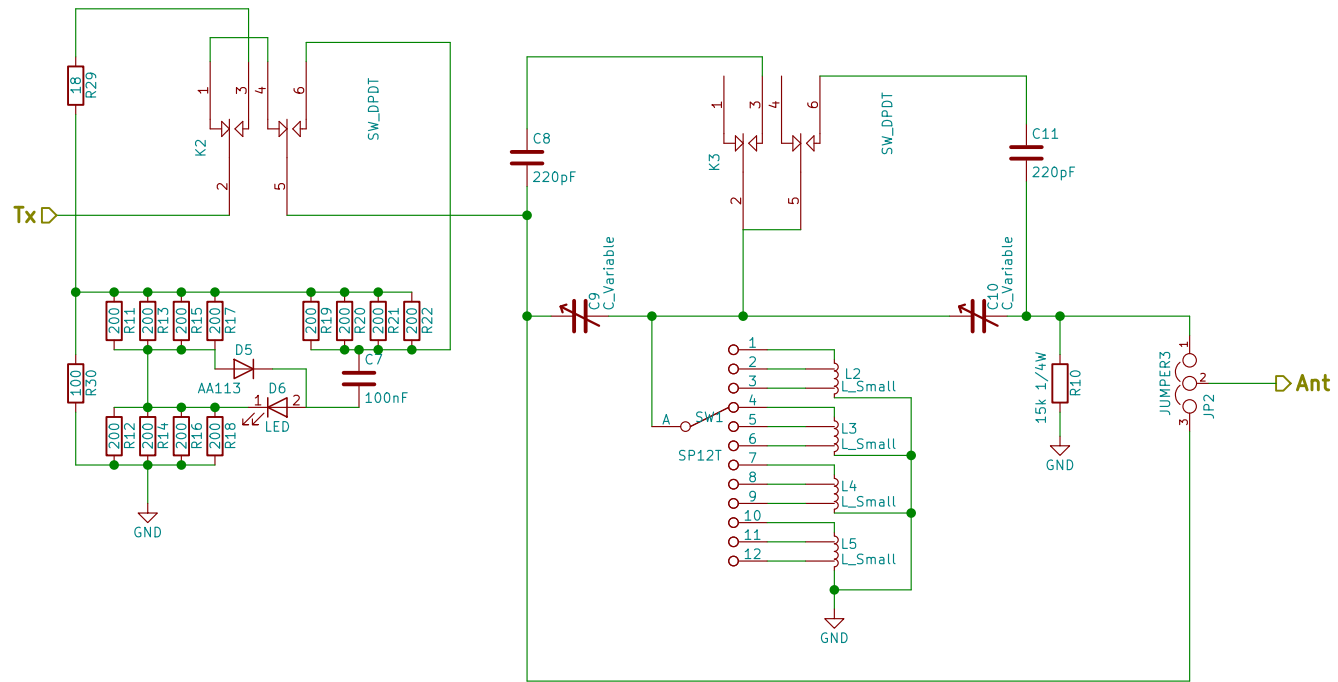
1PPS signal to DIO3_N of the extension connector E1.

LA3JJ

Sheet: /Red Pitaya/
File: file58FEDC92.sch

Title: RedPitaya ham radio extention for wspr

Size: A4	Date: 2017-03-01	Rev: 0.1
KiCad E.D.A. kicad 5.0.2-bee76a070ubuntu18.04.1		Id: 4/5



Sheet: /Antenna Tuner/
 File: file58FF7A3A.sch

Title:

Size: A4 Date:
 KiCad E.D.A. kicad 5.0.2-ubuntu18.04.1

Rev:
 Id: 5/5